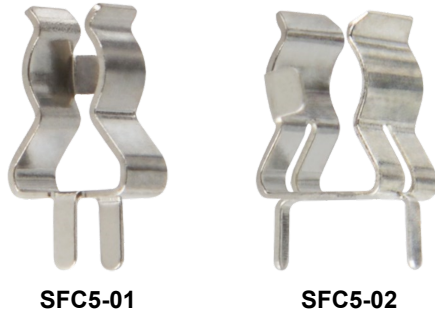


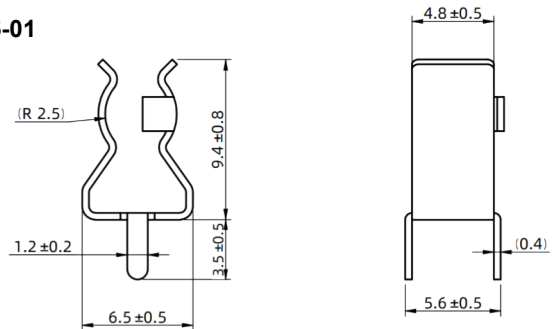
Miniature Fuses (Mini Fuse)

SFC5 Series, Fuse Clip

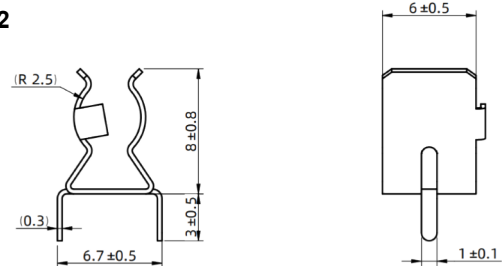


Shape And Size (mm)

SFC5-01



SFC5-02



Key Features

- Brass Tin-plated / Phosphor Bronze Tin-plated
- Designed for PC board applications
- Designed to UL 4248-1
- Lead-free (Pb-free)
- RoHS & REACH Compliant

Applications

- Power Supply
- Household Appliance
- General Lighting
- Smart Home
- Office Equipment
- Electric Tool
- Medical Equipment
- SPD
- Instruments and Apparatuses

Available Range

P.C. board mount fuse clip for 5 mm diameter fuses.

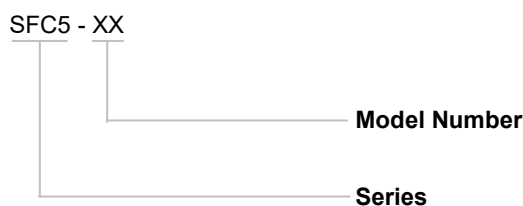
Type

Ear Type

Electrical Characteristics

Rated Current: 10 A

Part Numbering System

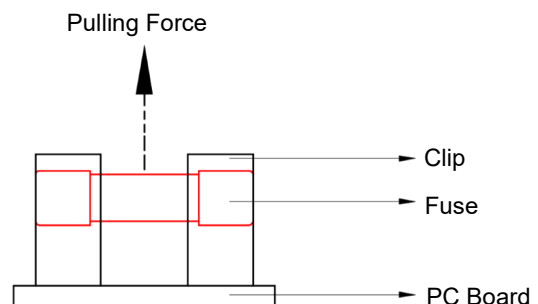


Material Information

Item	SFC5-01	SFC5-02
Material	Brass	Phosphor Bronze
Material Thickness	0.4 mm	0.3 mm
Surface Treatment	Tin Plated	
Tin Plating Thickness	3 um ~ 6um	

Mechanical Properties

The insertion and pulling forces of the first time: ≥ 10 N



Storage Methods And Duration

Storage conditions: Package need to be sealed completely, the recommended storage temperature 25 °C (+5 °C, -10°C) and relative humidity 40% RH (+20% RH,-20% RH).

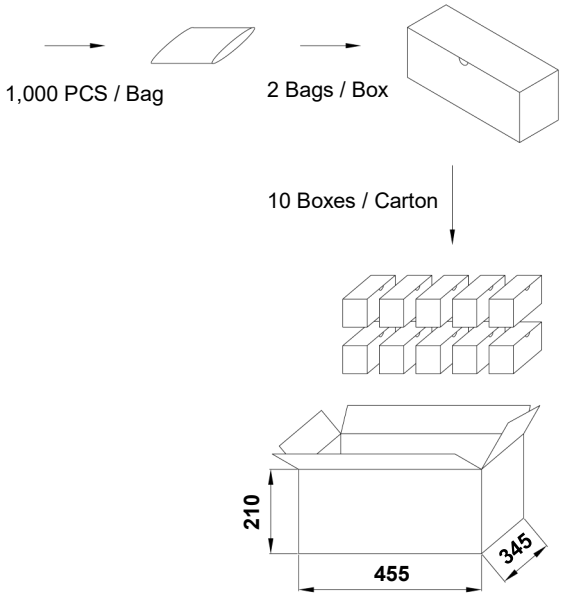
Expiration date: For packing products: 6 months, For unpacking products: recommend one week. Due to the risk of oxidation for unpacking product, please seal completely the package for the remainders.

Miniature Fuses (Mini Fuse)

SFC5 Series, Fuse Clip

Packing Information

Dimensions (mm)



Item	PE Bag	Box	Carton
Q'ty (PCS)	1,000	2,000	20,000
Gross Weight (kg)	8.0 ± 10%		

Miniature Fuses

Miniature Fuses